



BATTCAVE

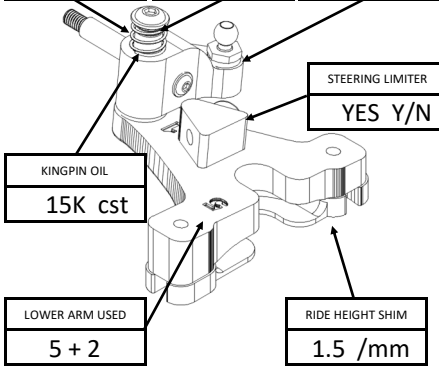
JOK3R

Name; RICHARD SODEAU

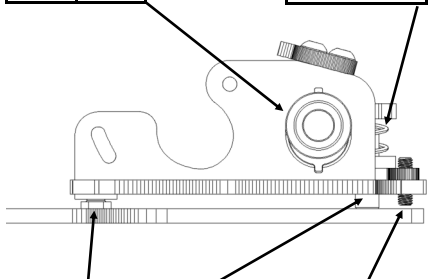
Venue; BASILDON BUGGY CLUB

Date; 15/11/23

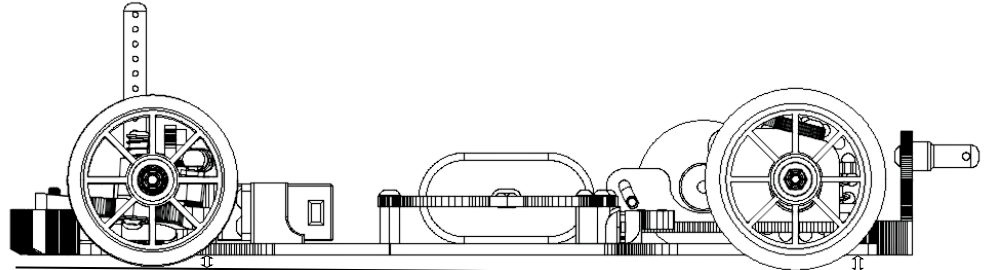
FRONT SPRING	DROOP SHIMS	BUMP STEER SHIMS
SOFT	0.6 /mm	2 /mm



AXLE POS	REAR SPRING
<input type="checkbox"/> ↑ <input checked="" type="checkbox"/> <input type="checkbox"/> ↓	KIT (M)



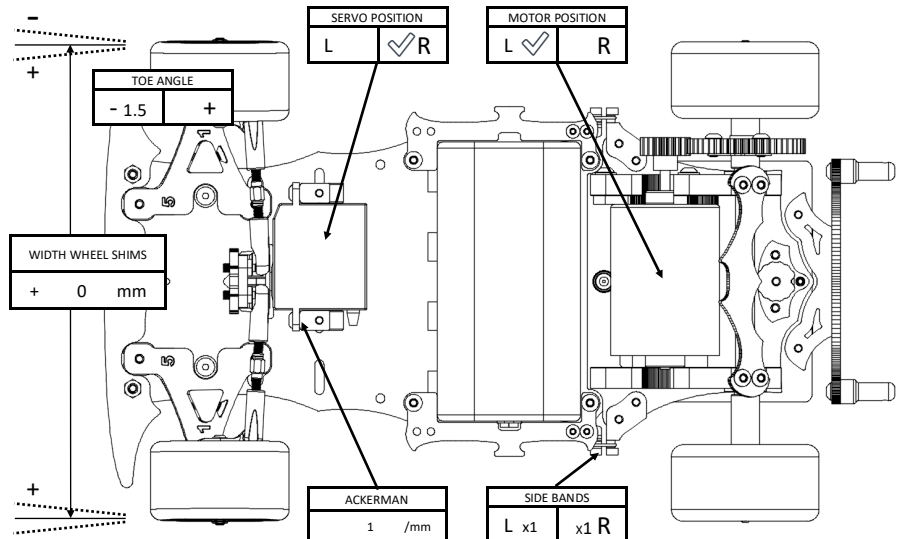
POD SHIMS	PIVOT POST OIL	REAR DROOP
1	15K cst	0.8 /mm



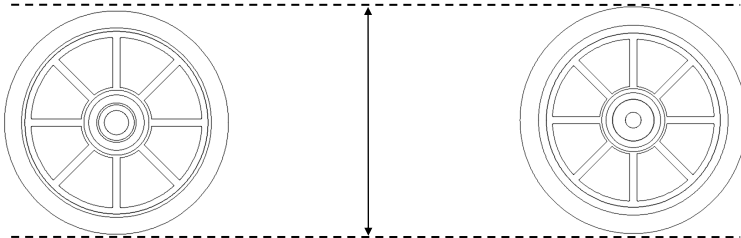
RIDE HEIGHT	
3.8	mm

BATTERY POSITION	
FORWARDS	← →

RIDE HEIGHT	
4	mm

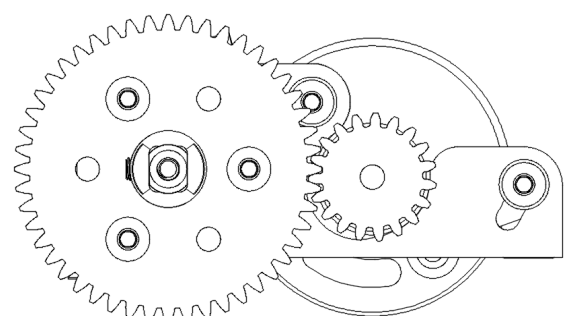


TYRE PREPARATION DETAILS					
FRONT			REAR		
47 CONTACT	SHORE		40 CONTACT		
44 /mm	DIAMETER		46 /mm		
YES	Y/N	SIDE WALL GLUE	NO	Y/N	



TYRE ADDITIVE PREP		
FRONT	ADDITIVE	REAR
SPIDER BLUE	ADDITIVE	SPIDER BLUE
5 /mins	TIME	15 /mins
	ADDITIVE AREA	

MOTOR	Mardave G2
SPUR	48t
PINION	16t
ROLL OUT	48.17
ESC	Mardave HR3
BATTERY	4600mah



ADDITIONAL NOTES...

This Setup has strong front end, with good rotation.
Long pinion used on the shorter shaft G2.